

EXCEPT AS OTHERWISE PROVIDED BY CONTRACT, THIS DRAWING AND SPECIFICATIONS SHALL NOT BE REPRODUCED, COPIED OR USED AS THE BASIS FOR MANUFACTURE OR SALE OF MATTER DEPICTED HEREIN WITHOUT THE EXPRESSED WRITTEN PERMISSION OF THE CLAUDE LAVAL CORPORATION, OR ITS ASSIGNEES.

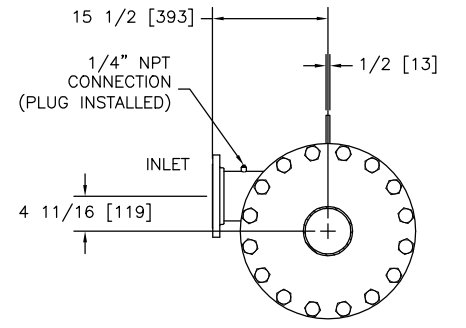
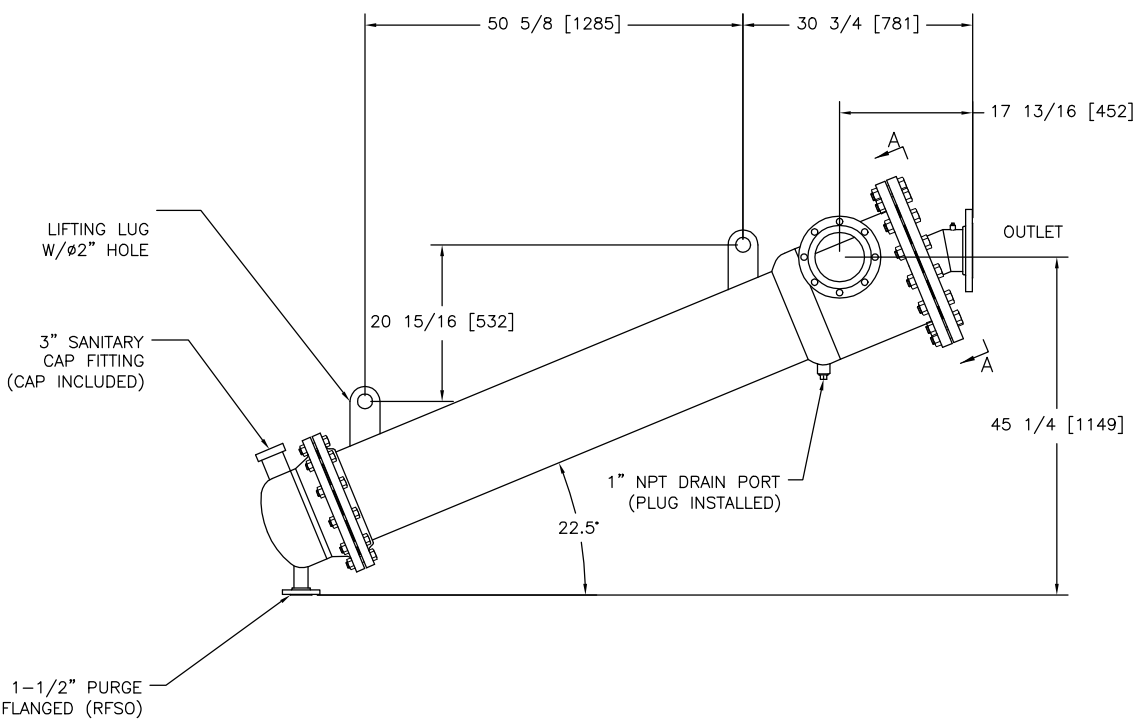
REVISIONS				
ZONE	REV	DESCRIPTION	DATE	APPROVED

THIS DRAWING HAS BEEN GENERATED AND IS MAINTAINED BY A CAD SYSTEM. CHANGES SHALL ONLY BE INCORPORATED AS DIRECTED BY AN APPROVED ENGINEERING CHANGE ORDER (ECO). PAPER COPIES ARE UNCONTROLLED.

## SUBMITTAL DRAWING

This drawing is submitted for special consideration only. Do not pre-plumb to these dimensions. Certified drawings available upon request.

- NOTES:
1. INLET & OUTLET FLANGES ARE 6" 150# RF PER ANSI B16.5 REQUIRING 8X 3/4"x 3-1/4" LONG BOLTS (BOLTS AND GASKETS NOT INCLUDED).
  2. MAXIMUM PRESSURE: 100 psi (689 kPa).
  3. MAXIMUM TEMPERATURE: 400°F (204°C).
  4. PRESSURE LOSS: 3-12.0 psi (21-83 kPa) AT RATED FLOW.
  5. RATED FLOW: 815-1500 gpm (187-344 m³/hr).
  6. APPROXIMATE DRY WEIGHT: 801 lbs (363 kg).
  7. FINISH: LAKOS BLUE (EXTERIOR ONLY).
  8. THREADED CONNECTIONS SEALED USING TEFLON PASTE SEALANT JOHN CRANE JC-30 OR EQUIVALENT.
  9. GASKET: SPIRAL WOUND, 304 SS W/PTFE FILLER.



<small>UNLESS OTHERWISE SPECIFIED: DIMENSIONS ARE IN INCHES (MM) TOLERANCES ARE: FRACTIONS DECIMALS ANGLES ±1/4" .005 ±.01 ±1/4" DO NOT SCALE DRAWING MATERIAL CLASS P-1 MILD CARBON STEEL FINISH LAKOS BLUE</small>	ENGINEERED FOR: <b>COOKING OIL</b>		<b>LAKOS</b> CLAUDE LAVAL CORP. 1365 N. CLOVIS AVE. FRESNO, CALIFORNIA 93727		<small>LAVAL UNDERGROUND SUPPLIES</small>
	APPROVALS	DATE	TITLE		
	DRAWN NAC	6/6/01	CSX-0815-HL, SEPARATOR, 6" CSX LOW PROFILE, CARBON STEEL		
	REVIEWED		SIZE C	MODEL NO. 118193	
ENGR β	6/8/01	SCALE 1"=1'	QTY.	EST. WT.	REV. -
WORK ORDER				SHEET 1 OF 1	

118193 1 REV. -